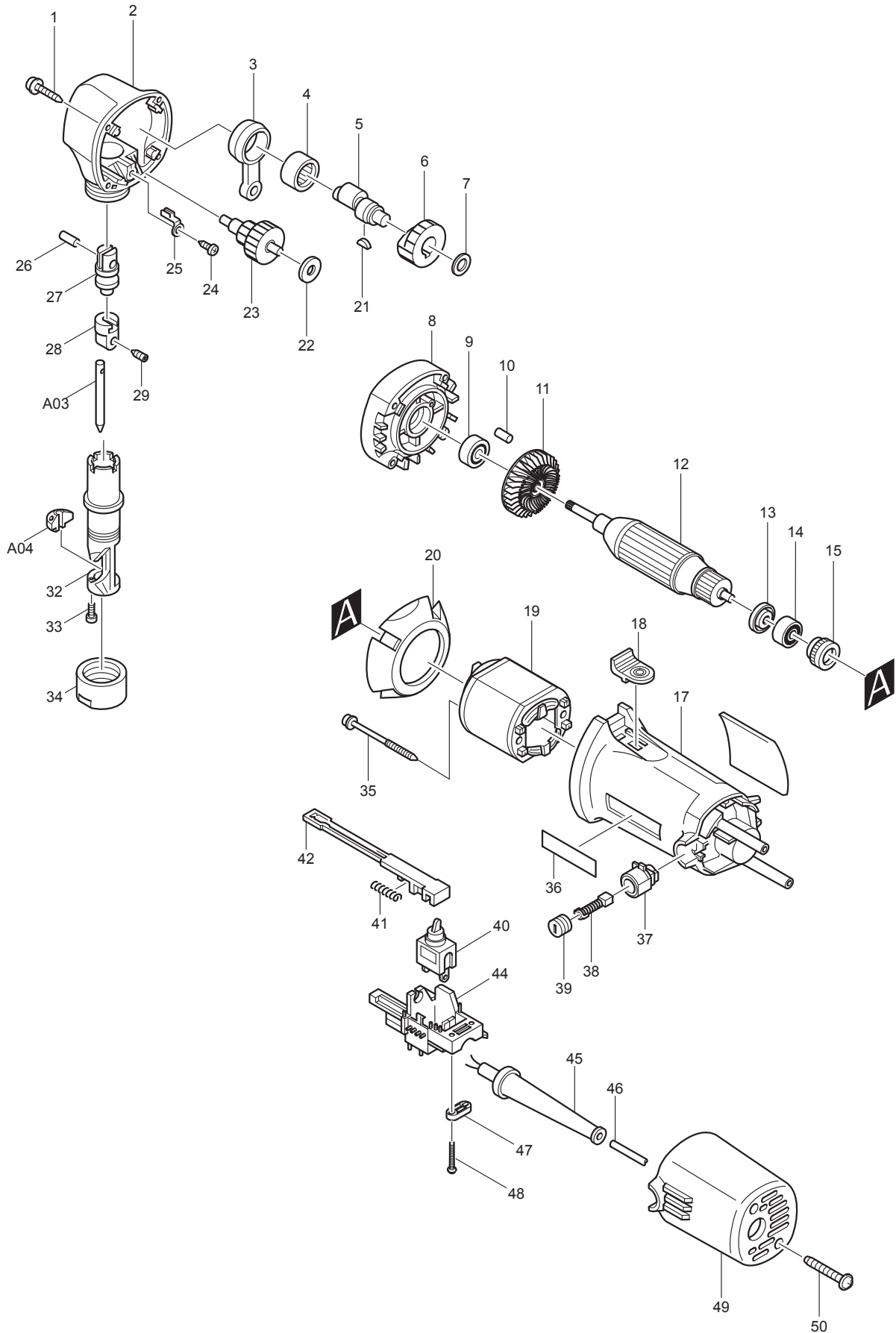




02 - 2010
JN1601
16 GAUGE NIBBLER



Item No	Type	Ref	Part No	Description	Qty	Unit
001			266053-1	TAPPING SCREW 4X35	4	PC.
002	2		144737-0	* GEAR HOUSING COMPLETE	1	PC.
		INC.	817658-6	* CAUTION LABEL (ENGLISH)	1	PC.
		INC.	817659-4	* CAUTION LABEL (FRENCH)	1	PC.
003			331438-1	ROD	1	PC.
004			212222-2	NEEDLE BEARING 1612	1	PC.
005			322704-7	CRANK SHAFT	1	PC.
006			226286-0	SPUR GEAR 34	1	PC.
007			253215-0	FLAT WASHER 8	1	PC.
008			159758-9	GEAR HOUSING COVER COMPLETE	1	PC.
		INC.	951051-5	SPRING PIN 3-8	1	PC.
		INC.	212005-0	NEEDLE BEARING 810	1	PC.
		INC.	212011-5	NEEDLE BEARING 609	1	PC.
		INC.		Item No. 10		
009			210005-4	BALL BEARING 608DDW	1	PC.
010			263002-9	RUBBER PIN 4	1	PC.
011			241875-0	FAN 54	1	PC.
012			517511-3	ARMATURE ASS'Y 115V	1	PC.
		INC.		Item No. 9,11,13,14		
013			681636-0	INSULATION WASHER	1	PC.
014			211021-9	BALL BEARING 607LLB	1	PC.
015			421479-6	RUBBER RING 19	1	PC.
016			857617-8	NAME PLATE JN1601	1	PC.
017			159755-5	MOTOR HOUSING COMPLETE	1	PC.
		INC.	654125-8	TERMINAL	2	PC.
018			415303-3	SWITCH KNOB	1	PC.
019			635011-2	FIELD 115V	1	PC.
020			415490-8	BAFFLE PLATE	1	PC.
021			254002-0	WOODRUFF KEY 3	1	PC.
022			267133-6	FLAT WASHER 6	1	PC.
023			226123-8	GEAR COMPLETE 13-37	1	PC.
024			266026-4	TAPPING SCREW BIND CT 4X12 (OLD# 266061-2)	1	PC.
025			344116-4	STOPPER	1	PC.
026			256111-1	PIN 6	1	PC.
027			322703-9	RAM	1	PC.
028			322702-1	PUNCH HOLDER	1	PC.
029			265880-3	H.S.SET SCREW(CONE POINT)M5X8	1	PC.
032			322701-3	DIE HOLDER	1	PC.
033			266080-8	HEX. SOCKET HEAD BOLT M3X12	2	PC.
034			322748-7	LOCK NUT	1	PC.
035			266060-4	TAPPING SCREW 4X65	2	PC.
037			643922-7	BRUSH HOLDER	2	PC.
038	2		195008-8	CARBON BRUSH CB-408 2PC/SET (W/ ORIGIN)	1	SET
039			643550-8	BRUSH HOLDER CAP 5-8	2	PC.
040			651418-4	SWITCH ST115A-40	1	PC.
041			233071-4	COMPRESSION SPRING 4	1	PC.
042			415541-7	SWITCH LEVER	1	PC.
044			687069-7	SUPPORT	1	PC.
045			682503-2	CORD GUARD 8-90	1	PC.
046			660002-4	CORD W/PLUG 2P-18-2.0M,SJ	1	PC.
047			687063-9	CORD CLAMP (STRAIN RELIEF)	1	PC.
048			265995-6	TAPPING SCREW 4X18	2	PC.
049			415540-9	REAR COVER	1	PC.

Item No	Type	Ref	Part No	Description	Qty	Unit
050			266053-1	TAPPING SCREW 4X35	2	PC.
051			422169-4	* GASKET (Added)	1	PC.
100			654069-2	RECEPTACLE	2	PC.
101			534027-3	LEAD ASSY (BLACK)	1	PC.
102			654126-6	TAB	2	PC.
E01			810247-6	CAUTION LABEL	1	PC.

ACCESSORIES

- See Catalogue or visit www.makita.ca for more accessories -

A01	2		781028-4	WRENCH 32	1	PC.
A02			783208-8	HEX. WRENCH 2.5	1	PC.
A03	2		A-83951	PUNCH (GOLD)	1	PC.
A04			A-15051	DIE	1	PC.

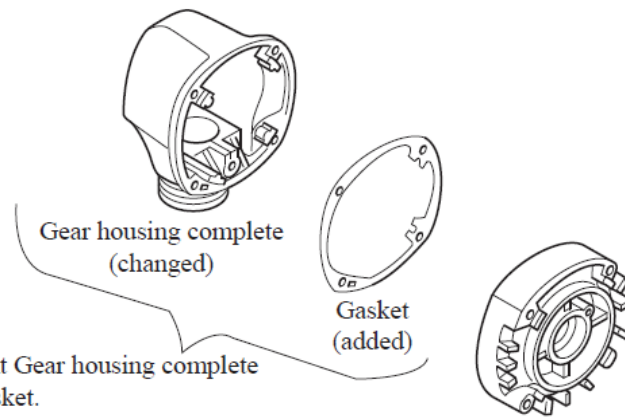
SERVICE CHANGES

1. Changes on Gear Housing

(TI#B7633)

Item No	Description	Type 1	Type 2
2	GEAR HOUSING COMPLETE	159785-6	144737-0
51	GASKET	-----	422169-4

Above parts are completely interchangeable as a set.



Gear housing cover remains the same.